

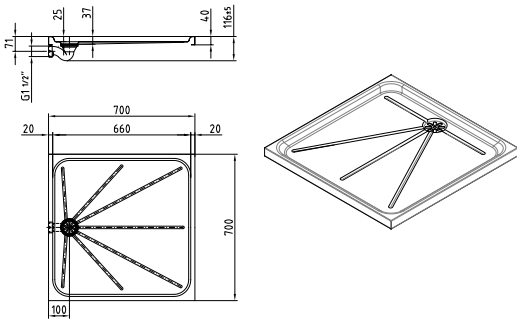
PRODUCT IMAGE AND DRAWING



PD-700
SHOWER TRAY

Shower tray made of 1mm thick stainless steel AISI-304 (1.4301).
Manufactured in one piece without joints.
For recessed or surface mounting.

Surface: Brushed finish.
With non-slippery flooring.
Supplied with PVC drain valve.



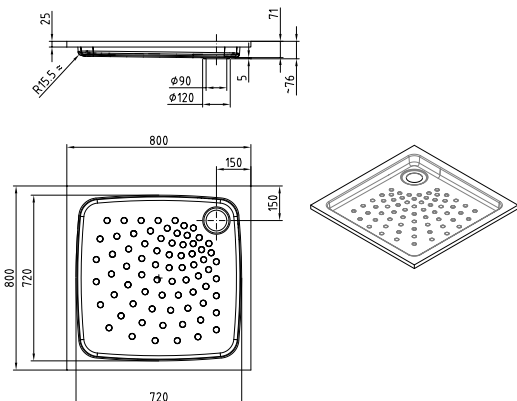
REFERENCE	FEATURES	DIMENSIONS
PD-700		700x700x65 mm



PDN-800
SHOWER TRAY

Shower tray made of 1mm thick stainless steel AISI-304 (1.4301).
Manufactured in just one piece.
For recessed or surface mounting.

Surface: Brushed finish.
With non-slippery flooring.
Supplied with PVC drain valve.



REFERENCE	FEATURES	DIMENSIONS
PDN-800		800x800x80 mm

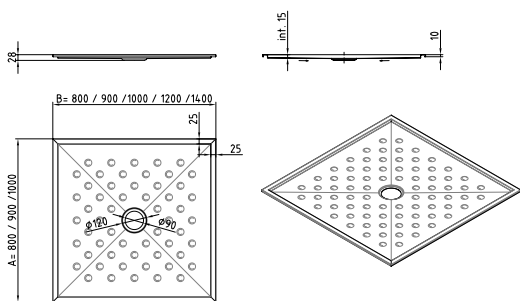
PRODUCT IMAGE AND DRAWING



PDH-900 SHOWER TRAY

Shower tray made of 1mm thick stainless steel AISI-304 (1.4301).
For recessed or surface mounting.

Surface: Brushed finish.
With non-slippery flooring.
Supplied with PVC drain valve.



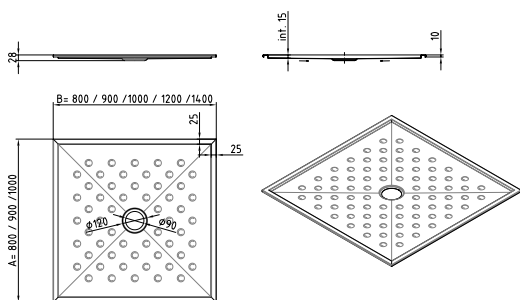
REFERENCE	FEATURES	DIMENSIONS
PDH-900		900x900x25 mm



PDH-1000 SHOWER TRAY

Shower tray made of 1mm thick stainless steel AISI-304 (1.4301).
For recessed or surface mounting.

Surface: Brushed finish.
With non-slippery flooring.
Supplied with PVC drain valve.



REFERENCE	FEATURES	DIMENSIONS
PDH-1000		1000x1000x25 mm