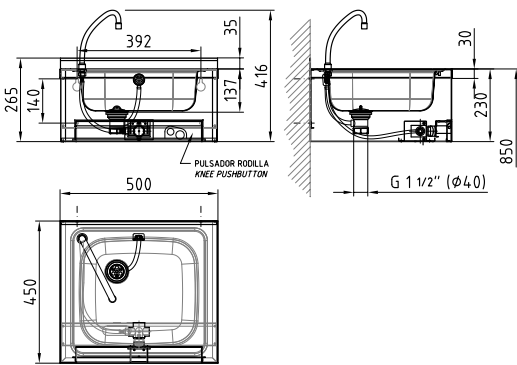


PRODUCT IMAGE AND DRAWING



LVM
HAND WASH BASIN

Wall mounted and knee operated wash basin. Full compliance with current European legislation. Fully made of stainless steel AISI-304 (1.4301). Pressed bowl with work top and overflow hole.

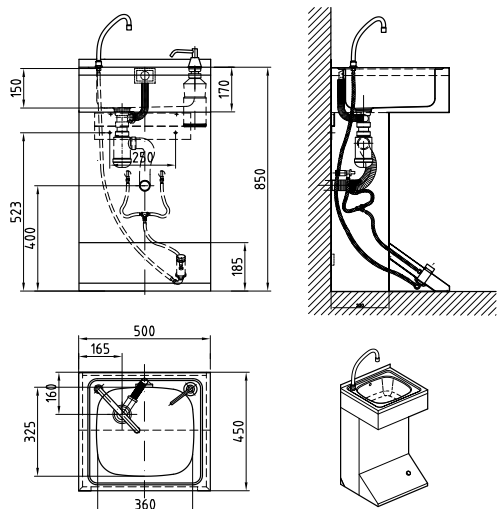


REFERENCE	FEATURES	DIMENSIONS
LVM-040	Tap with one water inlet	500x450x265 mm
LVM-040-D	Tap with one water inlet + soap dispenser	500x450x265 mm
LVM-041	With thermostatic valve	500x450x265 mm
LVM-041-D	With thermostatic valve + soap dispenser	500x450x265 mm
LVM-042	Electronic control	500x450x265 mm
LVM-042-D	Electronic control + soap dispenser	500x450x265 mm



LVP
HAND WASH BASIN

Floor standing, foot operated wash basin. It fully complies with the current European legislation. Fully made of stainless steel AISI-304 (1.4301). Pressed bowl with work top and overflow hole.



REFERENCE	FEATURES	DIMENSIONS
LVP-040	Tap with one water inlet	500x450x850 mm
LVP-040-D	Tap with one water inlet + soap dispenser	500x450x850 mm
LVP-041	With thermostatic valve	500x450x850 mm
LVP-041-D	With thermostatic valve + soap dispenser	500x450x850 mm
LVP-042	Electronic control	500x450x850 mm
LVP-042-D	Electronic control + soap dispenser	500x450x850 mm

PRODUCT IMAGE AND DRAWING

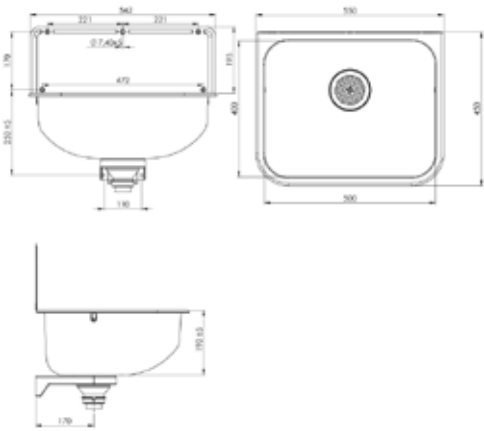


US-IN-560 UTILITY SINK

BEST SELLER

Wall mounted utility sink with backsplash. It is fully made of stainless steel AISI-304 (1.4301). Pressed bowl. Surface satin finished. Supplied with stainless steel wall panel, supporting bracket and 3 1/2" x 2" grated waste, and reducer from 2" - 1 1/2".

Bowl size: 500 x 400 x 190 mm
Dimensions: 560 x 450 x 385 mm



REFERENCE	FEATURES	DIMENSIONS
US-IN-560	Satin finished	560x450x385 mm

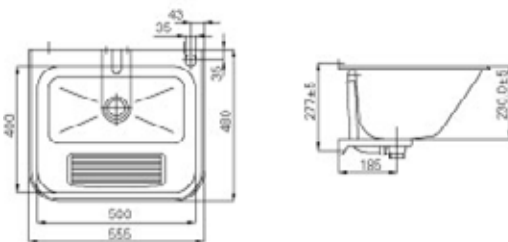


US-IN-555 UTILITY SINK

BEST SELLER

Wall mounted utility sink with backsplash. It is fully made of stainless steel AISI-304 (1.4301). Pressed bowl. Surface satin finished.

Bowl size: 500 x 400 x 230 mm
Dimensions: 555 x 480 x 230 mm



REFERENCE	FEATURES	DIMENSIONS
US-IN-555	Satin finished	555x480x230 mm

PRODUCT IMAGE AND DRAWING

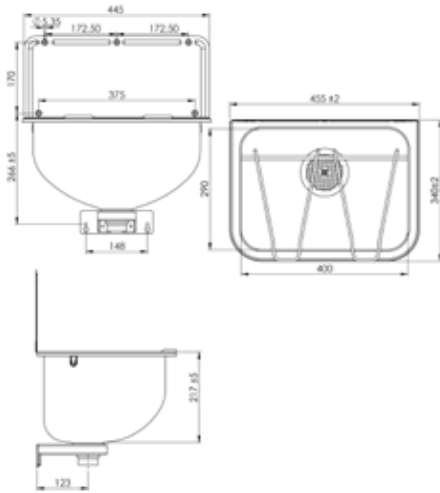


US-IN-455-G
UTILITY SINK

BEST SELLER

Wall mounted utility sink with backsplash. It is fully made of stainless steel AISI-304 (1.4301). Pressed bowl. Surface satin finished. Supplied with wall panel, Ø100mm grated waste and a bucket grid. Waste and wall bracket included.

Bowl size: 400 x 290 x 217 mm
Dimensions: 455 x 340 x 412 mm



REFERENCE	FEATURES	DIMENSIONS
US-IN-455-G	Satin finished	455x340x412 mm