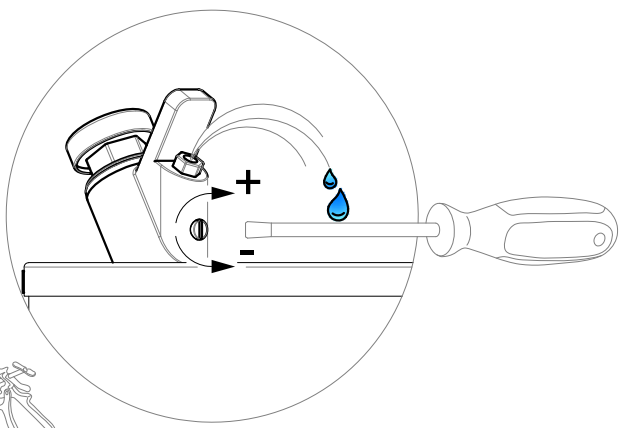
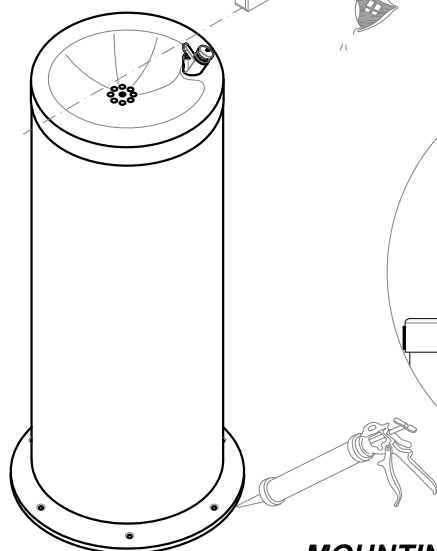
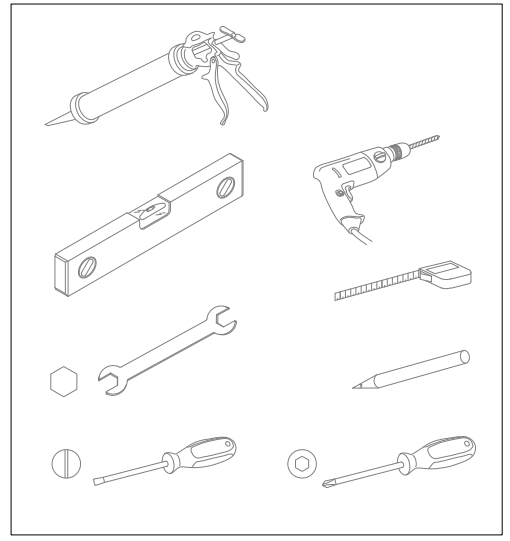
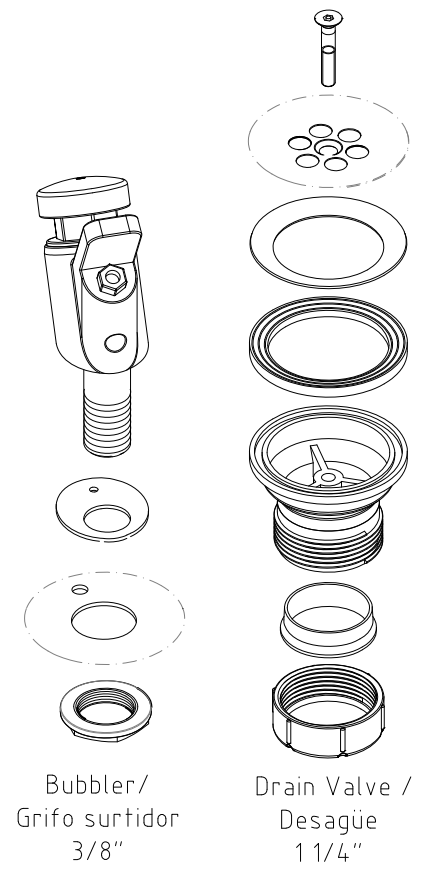
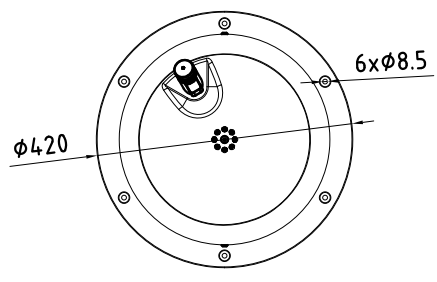
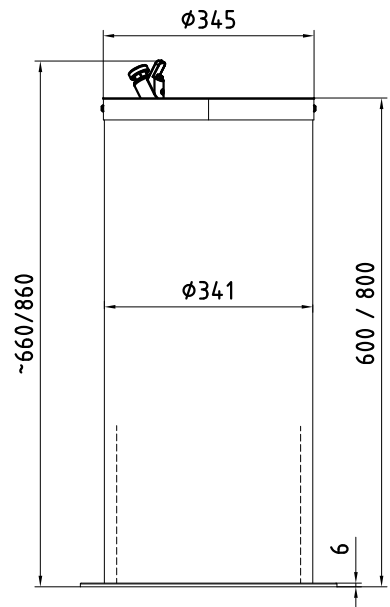
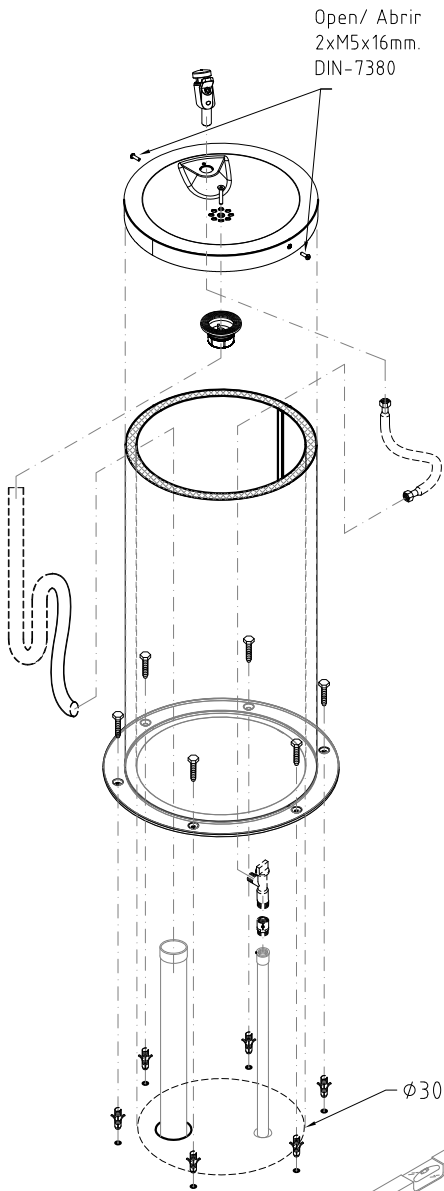


FUENTE DE AGUA INSTALACIÓN SUELO
 DRINKING WATER FOUNTAIN FLOOR MOUNTING
 MOD.: FP-001



| | | |
|--|-----------------|------|
| | | 1x ✓ |
| | 3/8" | 1x ✓ |
| | 1 1/2" x Ø32/40 | 1x ✓ |
| | | 0x ✗ |

MOUNTING INSTRUCTIONS (EN)
INSTRUCCIONES DE MONTAJE (ES)