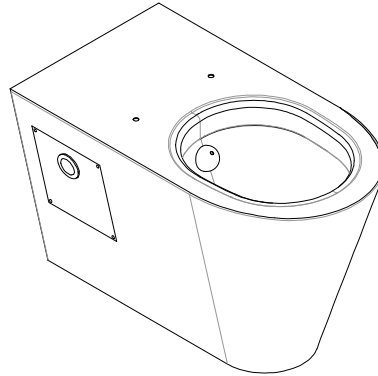


WC PAN-SHATTAF

INP-655-OVC-T-PR-SHATTAF



DESCRIPTION

INP-655-OVC-T-PR-SHATTAF

- Shattaf floor standing toilet made of stainless steel AISI 304, thickness 1.5mm. CE marked. Complies with European Standards EN-997 for min. 4L flush.
- Stylish modern design.
- Satin finish, ensuring a longer durability of the toilet surface.
- Compatible for all standard frame systems and direct flush valves.
- Filled with PU-foam for sound deadening and to prevent bumps and dents.
- Oval toilet bowl made of one piece by deep drawn process, seam-free for easy maintenance and a better hygiene.
- Rear water inlet of \varnothing 55mm. Horizontal waste outlet (P-trap) of \varnothing 100mm.
- Water saving toilet that requires only 4 LPF for an efficient cleaning.
- Fully shrouded.
- Safety features such as seamless welded, rounded edges, a 3mm robust mounting plate with 6 lateral security Torx screws and integrated earthing.
- Pre-drilled toilet seat holes with integrated thread, enabling the installation of a toilet lid seat at a later time without uninstalling the toilet. Holes covered by 2 security Torx screws.
- Quick and easy installation from the front thanks to the supplied Torx Bit tooling and the mounting plate that enables a versatile frame fixation of 180 and 230mm.
- Cleaning-friendly design due to his rounded lines and the concealed perimetral flushing rim.
- Robust construction designed to withstands min. weights of up to 400 \pm 5kg.
- 700mm and 750mm options specially designed for people with reduced mobility.

On request:

- Polish finish.
- Top water inlet.
- Toilet cover seat in black or white.
- Black polyethylene seat pads.
- Made in stainless steel AISI 316.

TECHNICAL FEATURES

INP-655-OVC-T-PR-SHATTAF

HEIGHT	400 mm
LENGTH	655 mm
WIDTH	360 mm
FINISH	Satin finish

